

INFORMATION ONLY – DOES NOT COMMUNICATE  
A MODIFICATION OR SAFETY CONDITION

**4294A-05C**

**S E R V I C E N O T E**

---

Supersedes:  
4294A-05B

## Agilent 4294A Precision Impedance Analyzer

**Serial Numbers:** See Solution / Action

**Part Number Changes for LCD and LCD Assemblies with backlight lamp  
change recommendation**

**Parts Required:**  
See Solution / Action

To Be Performed By: Agilent-Qualified Personnel

The change from 4294A-05B to 4294A-05C is as the followings.

- The backlight lamp Part Number (2090-0566) was changed to 5188-1364. 5188-1364 is for 4294A use only. Do not use 5188-1364 for other products. Other products repair must be done at the upper level.

### ADMINISTRATIVE INFORMATION

SERVICE NOTE CLASSIFICATION:

**INFORMATION ONLY**

AUTHOR: jm    PRODUCT LINE: WN

ADDITIONAL INFORMATION:

Do not use STREP charge for the backlight changing. The labor hour is less than 1 hour.

© AGILENT TECHNOLOGIES, INC. 2005  
PRINTED IN U.S.A.



October 18, 2005

**Situation:**

The LCD (P/N 2090-0574) used for the 4294A was obsolete and replaced with a new LCD which employs a long-life backlight lamp. It is assumed that lifetime of old LCD's backlight will end in 2004 and after. So, when the backlight lamp of the old LCD is faulty (burned-out), **replace only the lamp (P/N 5188-1364)** with a new one, not whole LCD unit. This is because the old LCD (2090-0574) unit was no longer supplied and we cannot have enough number of it to replace all defective LCD units.

When the LCD itself is faulty, replace the faulty LCD with the old type LCD (use P/N 5185-3731 in place of the obsolete P/N 2090-0574) or new LCD (P/N 2090-0361) depending on the instrument serial number. (The LCD contains the backlight lamp, but the backlight lamp in the new LCD can not be replaced independently)

The new LCD has different assembly size from old one and new replacement parts for the new LCD have been set up.

**Solution/Action:**

When repairing the LCD, use the appropriate replacement parts for the instruments with serial numbers shown below.

**Serial Numbers: JP2KG01016 and below**

Replace backlight lamp only

Part Number	Qty	Description
5188-1364	1	Lamp (ASSEMBLY FOR SHARP 8.4)

Replace whole OLD LCD units

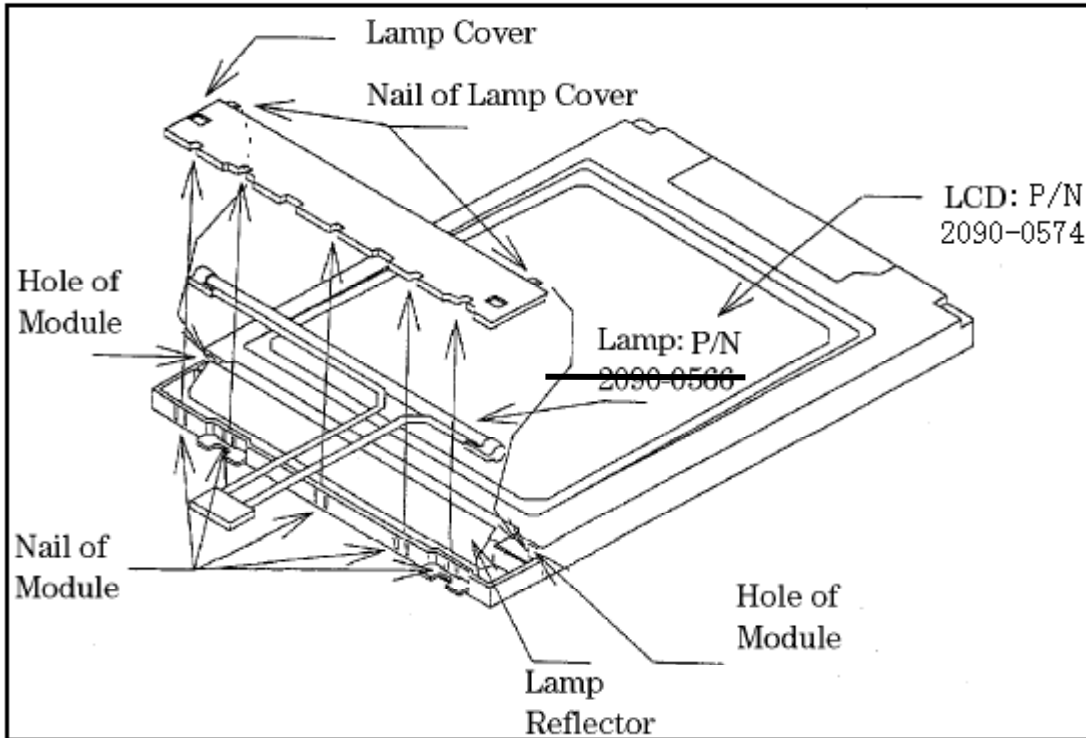
Part Number	Qty	Description
5185-3731*1	1	A52 LCD 8.5 inch
0950-2924	1	A54 Inverter
04294-04001	1	Cover
E4970-25002	1	Insulator
04294-61620	1	Cable
04294-00603	1	Case Shield
04294-60001	1	Chassis

\*1: Refer to the above "Situation" part, and change only a lamp (2090-0566) if it is burned-out.

**Serial Numbers: JP2KG01017 and above**

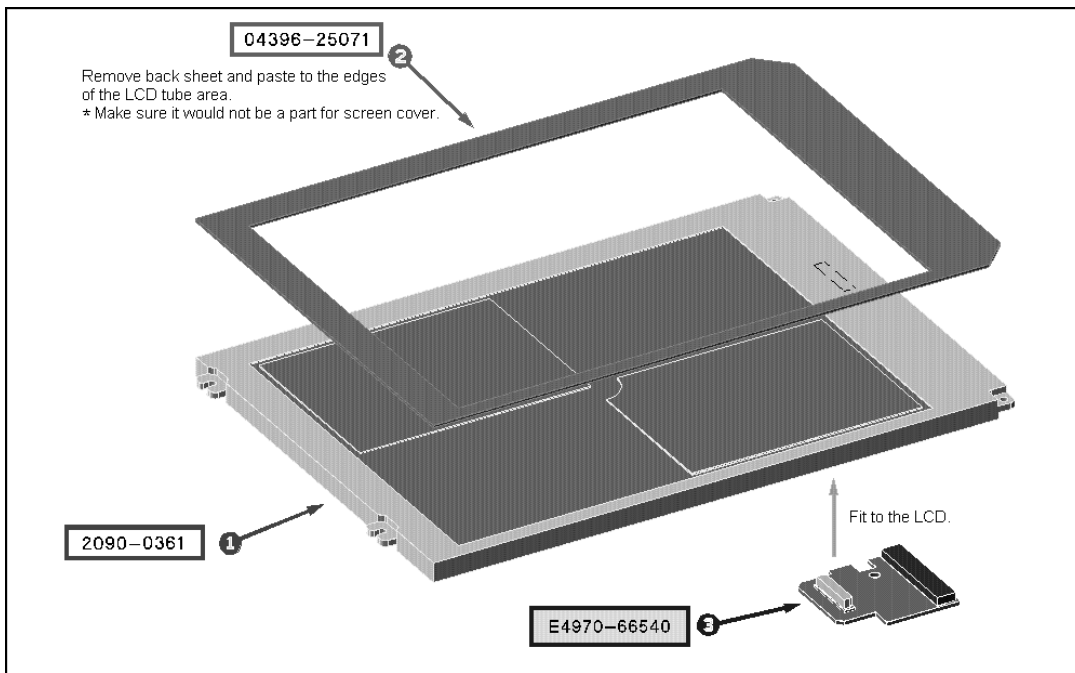
Part Number	Qty	Description
2090-0361	1	A52 LCD 8.5 inch
0950-4111	1	A54 Inverter
04294-04011	1	Cover
04352-25002	1	Insulator
04294-61623	1	Cable
04294-00607	1	Case Shield
04294-60011	1	Chassis

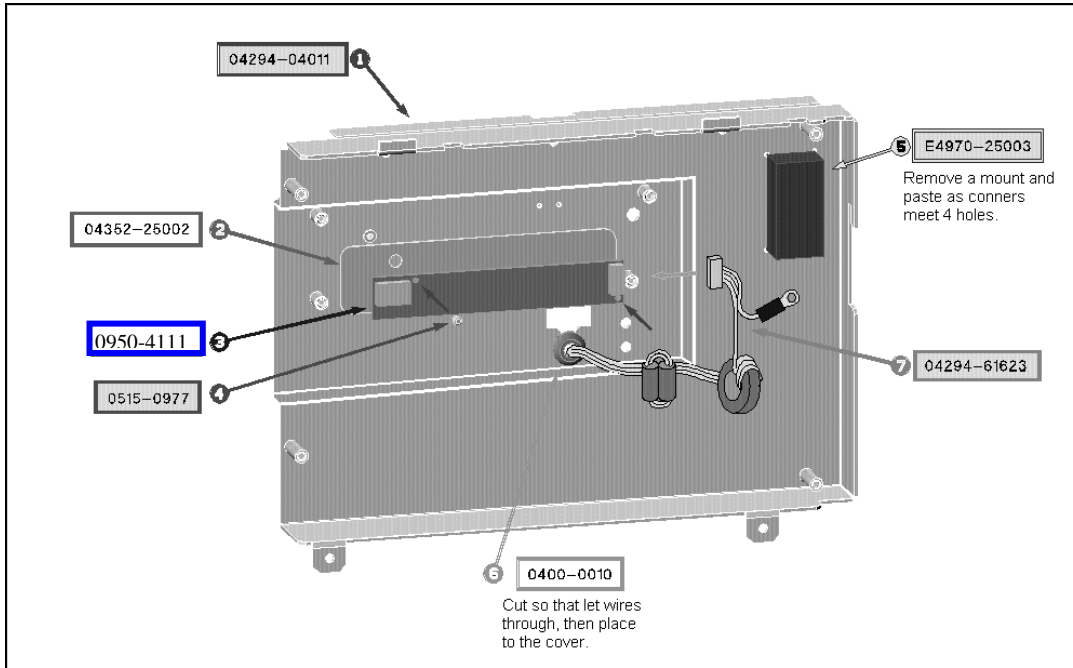
When replacing the backlight lamp in the old LCD, remove the lamp and install new one as illustrated in the following figure.



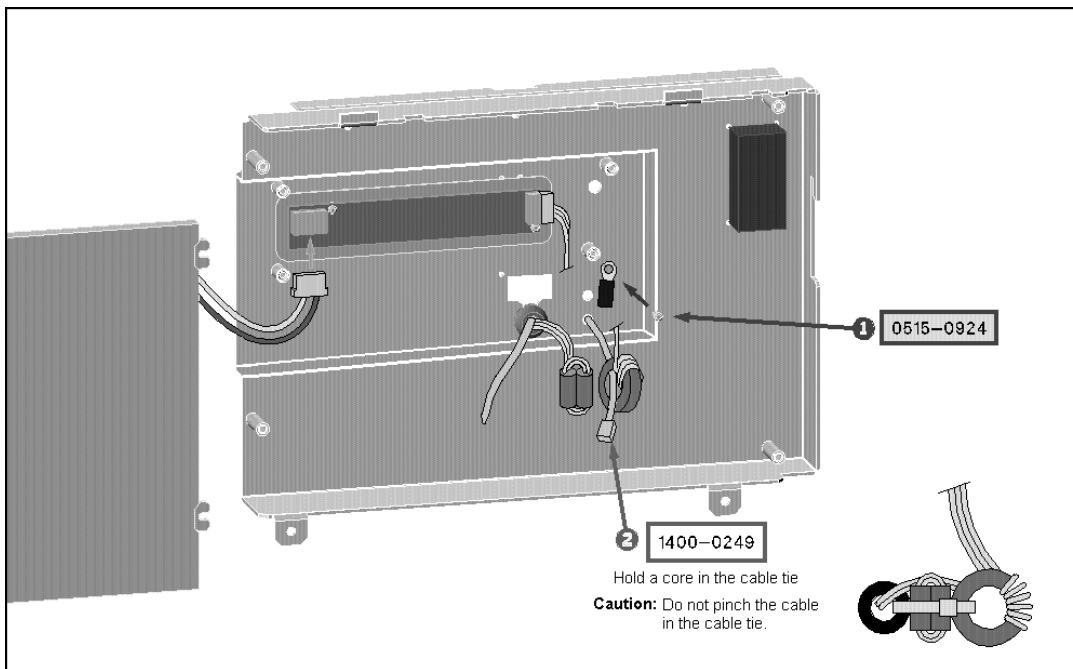
2090-0566 was replaced by 5188-1640.

The procedure for the new LCD assemblies is described below.

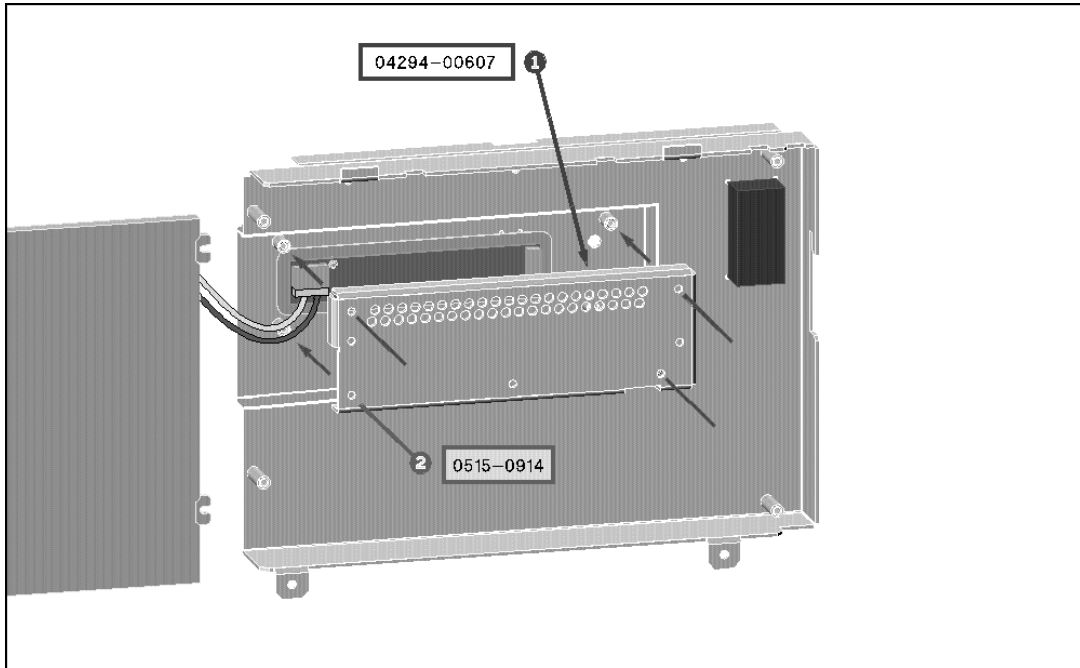




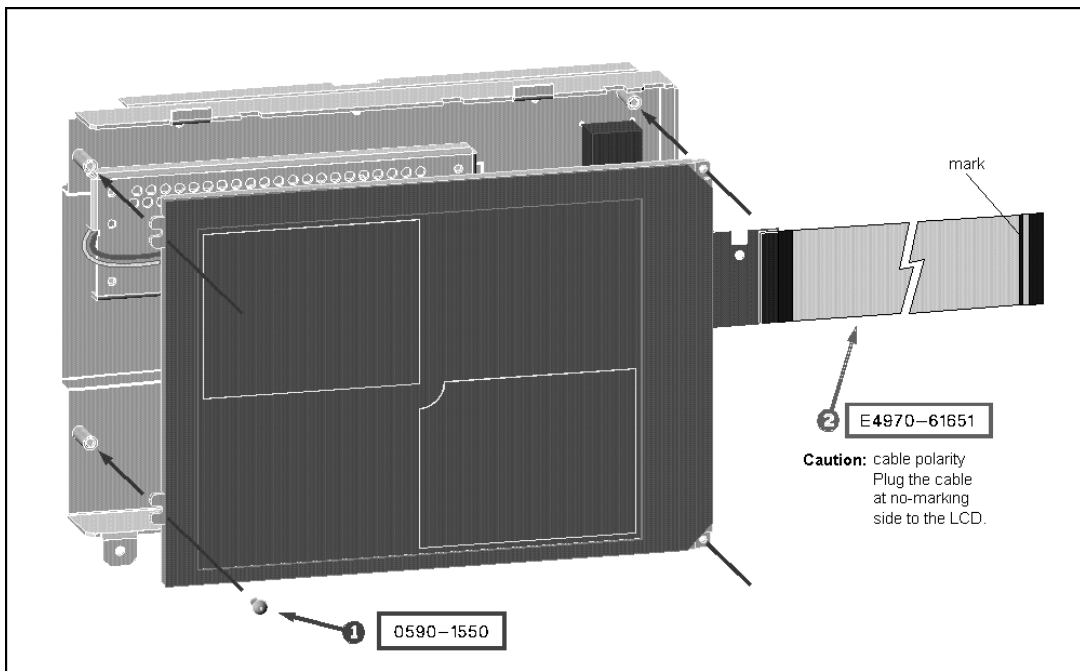
04294\_64901a70



04294\_64901a80



04294\_64901a90



04294\_64901b10